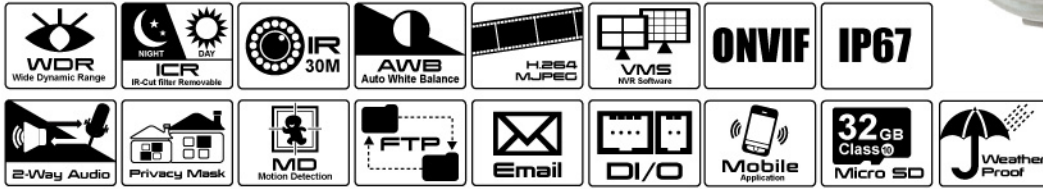


IR Bullet Network Camera

RYK-IPBL300/302



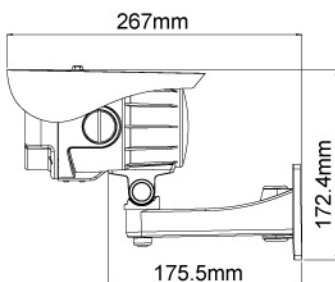
Features

- H.264 & M-JPEG Compression
- Ingress Protection IP67
- IR Distance 30 M
- Wide Dynamic Range (WDR)
- Dual Streaming
- DC 12V / PoE AT or PoE AF
- 2-Way Audio
- Digital I/O
- Built in Heater & Fan
- TV-Out Support
- Micro SD Card Slot
- Free 64CH NVR Software

Dimensions



55.4mm

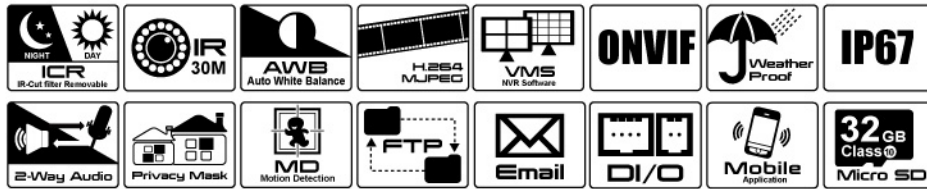


Specifications

Model No.	RYK-IPBL300	RYK-IPBL302
IMAGE		
Sensor	1/2.8" SONY "Exmor" CMOS	
Resolution	3 Mega	
Picture Elements	2048 x 1536@20fps 1920 x 1080@30fps	
Shutter Speed	Automatic, Manual (1/4 ~ 1/10000 Sec)	
White Balance	Automatic, ATW, Outdoor, Indoor, Lamp	
Minimum Illumination	0.5Lux @ F1.2 (Color), 0 Lux with IR	
Gain Control	Auto, Manual (0~42db)	
Back Light Comp.	Yes	
WDR	Yes	
IR-Cut filter Removable	Yes	
Day & Night	Auto / Manual	
LENS		
Lens Drive Type	Vari-focal Lens, f=3.5~16mm, F/1.2	
Iris	DC Drive	
IR Illumination Distance	Max. 30M (IR Range Selectable)	
VIDEO		
Video Compression	H.264 & M-JPEG	
Video Streaming	2 Streaming	
Flip & Mirror	Yes	
Privacy Mask	3 Areas	
Motion Detection	3 Areas	
AUDIO		
Audio Compression	G.711 / PCM	
2way Audio	Yes	
Audio In/Out	1 x Line-In, 1 x Line-Out (3.5mm Phone Jack)	
Microphone	No	
NETWORK		
Ethernet	10/100 Base T Ethernet (RJ-45)	
Protocol	HTTP, HTTPS, DHCP, PPPoE, DDNS, SMTP, FTP Server, FTP Client, NTP, Bonjour, QoS	
Password Protection	Yes	
Live Viewing User	10	
Wireless	No	
APPLICATIONS		
Network Storage	VMS, SD Card Network Fail Recording, SD Card Schedule Recording	
Live Viewing	IE, VMS, Mobile App (iOS, Android)	
GENERAL		
Vandal Proof	No	
Weatherproof	IP67	
Heater	Yes	No
Fan	Yes	
SD Card Slot	MicroSD, up to 32GB	
Alarm	1 x DI, 1 x DO (Dry Contact)	
Power	DC12V /3A ; PoE 802.3 AT	DC12V /3A ; PoE 802.3 AF
Operating Temp.	-40°C ~ 50°C / -40°F ~ 122°F	0°C ~ 50°C / 32°F ~ 122°F
Integrate Document	CGI / SDK/Onvif	
Video Output	Composite Video Out (BNC) x 1	
RS485 Interface	Yes	
Dimension (W x H x D)	109 x 267 x 172 (mm)	
Humidity	0% ~ 90% RH	
Certificate	CE, FCC, BSMI	

IR Bullet Network Camera

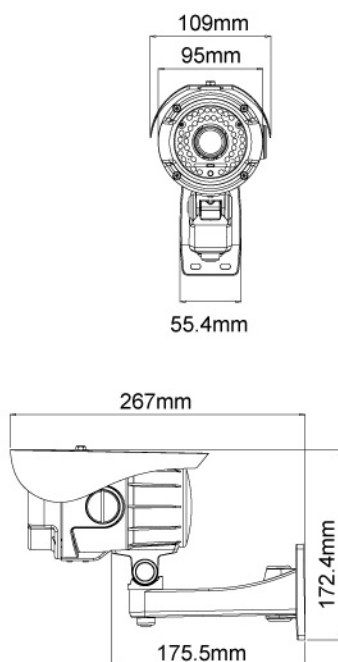
RYK-IPBL200 / 202



Features

- H.264 & M-JPEG Compression
- Ingress Protection IP67
- IR Distance 30 M
- Dual Streaming
- DC 12V / PoE AT or PoE AF
- 2-Way Audio
- Digital I/O
- Built in Heater & Fan
- TV-Out Support
- Micro SD Card Slot
- Free 64CH NVR Software

Dimensions



Specifications

Model No.	RYK-IPBL200	RYK-IPBL202
IMAGE		
Sensor	1/2.7" Progressive CMOS	
Resolution	2 Mega	
Picture Elements	1920 x 1080	
Frame Rates	30fps(NTSC) , 22.5fps(PAL)	
Shutter Speed	Automatic, Manual (1/4 ~ 1/10000 Sec)	
White Balance	Automatic, ATW, Outdoor, Indoor, Lamp	
Minimum Illumination	0.5Lux @ F1.2 (Color), 0 Lux with IR	
Gain Control	Auto, Manual (0~22.5db)	
Back Light Comp.	Yes	
IR-Cut filter Removable	Yes	
Day & Night	Auto / Manual	
LENS		
Lens Drive Type	Vari-focal Lens, f=3.5~16mm, F/1.2	
Iris	DC Drive	
IR Illumination Distance	Max. 30M (IR Range Selectable)	
VIDEO		
Video Compression	H.264 & M-JPEG	
Video Streaming	2 Streaming	
Flip & Mirror	Yes	
Privacy Mask	3 Areas	
Motion Detection	3 Areas	
AUDIO		
Audio Compression	G.711 / PCM	
2way Audio	Yes	
Audio In/Out	1 x Line-In, 1 x Line-Out (3.5mm Phone Jack)	
Microphone	No	
NETWORK		
Ethernet	10/100 Base T Ethernet (RJ-45)	
Protocol	HTTP, HTTPS, DHCP, PPPoE, DDNS, SMTP, FTP Server, FTP Client, NTP, Bonjour	
Password Protection	Yes	
Live Viewing User	10	
Wireless	No	
APPLICATIONS		
Network Storage	VMS, SD Card Network Fail Recording, SD Card Schedule Recording	
Live Viewing	IE, VMS, Mobile App (iOS, Android)	
GENERAL		
Vandal Proof	No	
Weatherproof	IP67	
Heater	Yes	No
Fan	Yes	
SD Card Slot	MicroSD, up to 32GB	
Alarm	1 x DI, 1 x DO (Dry Contact)	
Power	DC12V 3A / PoE 802.3 AT	DC12V 3A / PoE 802.3 AF
Operating Temp.	-40°C ~ 50°C / -40°F ~ 122°F	0°C ~ 50°C / 32°F ~ 122°F
Integrate Document	CGI / SDK/Onvif	
Video Output	Composite Video Out (BNC) x 1	
RS485 Interface	Yes	
Dimension (W x H x D)	109 x 267 x 172 (mm)	
Humidity	0% ~ 90% RH	
Certificate	CE, FCC, BSMI	