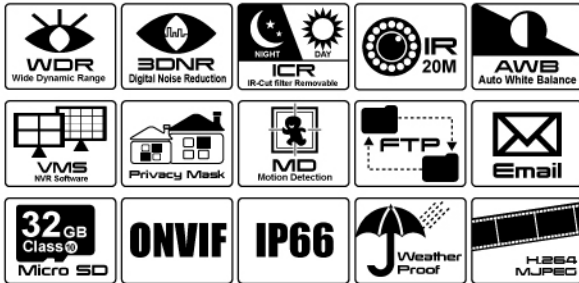


Mini IR Bullet Network Camera

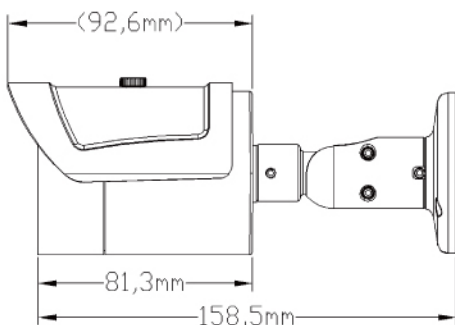
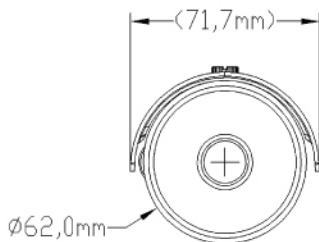
RYK-IPBL222



Features

- H.264 & M-JPEG Compression
- Ingress Protection IP66
- IR Distance 20 M with Smart IR
- Triple Streaming
- DC 12V / PoE AF
- Micro SD Card Slot
- Free 64CH NVR Software

Dimensions



Specifications

Model No.	RYK-IPBL222
IMAGE	
Sensor	1/2.8" SONY "Exmor" Progressive CMOS
Resolution	2.0 Mega Pixel
Picture Elements	1920 x 1080
Frame Rates	30fps(NTSC) , 25fps(PAL)
Shutter Speed	Automatic, Manual (1/7.5 ~ 1/10000 Sec)
White Balance	Automatic, ATW, Outdoor, Indoor, Lamp
Minimum Illumination	0.2Lux @ F1.8 (Color), 0 Lux with IR
Gain Control	Auto, Manual (0~30db)
Back Light Comp.	Yes
WDR	Yes
DNR	3D Noise Filter
IR-Cut filter Removable	Yes
Day & Night	Auto / Manual
LENS	
Lens Drive Type	Board Lens f=3.6mm, F1.8
IR Illumination Distance	Max. 20M with Smart IR
VIDEO	
Video Compression	H.264 & M-JPEG
Video Streaming	3 Streaming
Flip & Mirror	Yes
Privacy Mask	3 Areas
Motion Detection	3 Areas
Tampering Alarm	1~10/s
NETWORK	
Ethernet	10/100 Base T Ethernet (RJ-45)
Protocol	HTTP, HTTPS, DHCP, PPPoE, DDNS, SMTP, FTP Server, FTP Client, NTP, Bonjour
Password Protection	Yes
Live Viewing User	10
APPLICATION	
Network Storage	VMS, SD Card Network Fail Recording, SD Card Schedule Recording
Live Viewing	IE, VMS, Mobile App (iOS, Android)
GENERAL	
Vandal Proof	Yes
Weatherproof	IP66
SD Card Slot	MicroSD, up to 32GB
Power	DC12V1A ; PoE 802.3 AF
Operating Temp.	-30°C ~ 60°C / -22°F ~ 140°F
Integrate Document	CGI / SDK / Onvif
Dimension (W x H x D)	Ø 62 x 158.5 (mm)
Humidity	0% ~ 90% RH
Certificate	CE, FCC,BSMI