

DIGITUS® Modular High Density Patch Panel, shielded



DN-91422

✓ High Density

✓ Shielded

✓ 24-Port or 48-Port

✓ For 483 mm (19 ") rack mounting

Abstract

DIGITUS® Modular High Density Patch Panel, 24-Port or 48-Port, shielded, black (RAL 9005)

Application areas

483 mm (19")-cabinet

Norms

ISO/IEC 11801 3rd ED.; EN 50173; EIA/TIA 568-C

General Properties

Suitable for shielded DIGITUS® Keystone Modules and Couplers

Cable fixing by means of locking clamp

Central grounding connection

Plastic label field

Available as 24-port and 48-port version

Height unit: 0,5U (24-Port); 1U (48-Port)

Suitable for 483 mm (19 ") rack mounting

Shielded

Product Overview

The Modular High Density Patch Panels from DIGITUS® are available as 24-port version (0.5U) or 48-port version (1U). The Panels offer a high density. Since, for example, the panel "DN-91422" is only 0.5U in height, it allows to present 48 ports on 1U (2 panels with 24 ports each).

Technical Properties

Housing material: 1,5 mm SPCC cold rolled steel sheet, powder-coated

Material standard: EN 10 130(1991), BS 1449, NFA 36/401, DIN 1623, UNI 5866, UNE 36-086
SIS, JIS G 3141, ASTM, SAE

Grounding bar material: Galvanized steel

Grounding wire : not included

Item number information

DN-91422 DIGITUS® Modular Patch Panel, shielded, 24-port, label field, 0.5U, rack mount, color black (RAL 9005)

DN-91424 DIGITUS® Modular Patch Panel, shielded, 48-port, label field, 1U, rack mount, color black (RAL 9005)

Item number information – suitable modules

DN-93617 DIGITUS® CAT.6_A Keystone module, shielded

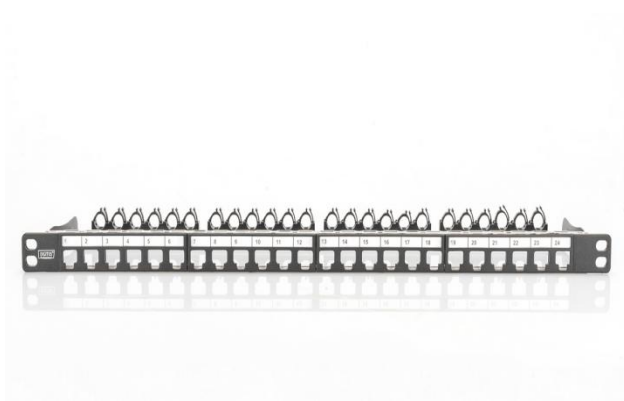
DN-93615 DIGITUS® CAT.6_A Keystone module, shielded

DN-93612-1 DIGITUS® CAT.6 Keystone module, shielded

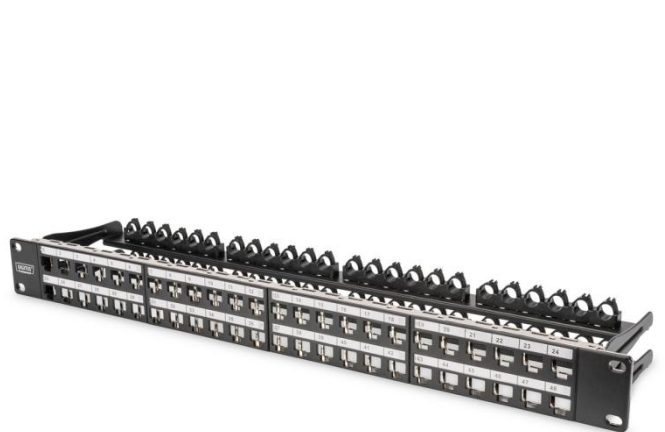
DN-93512 DIGITUS® CAT.5e Keystone module, shielded

Product image

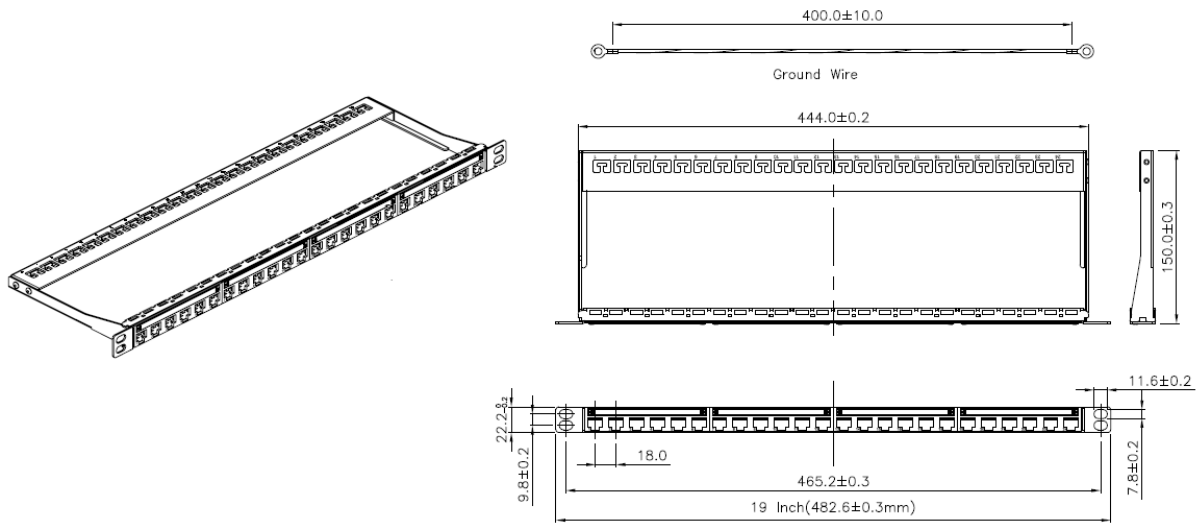
DN-91422



DN-91424



Technical Drawings DN-91422



DN-91424

